



SiC-based UV photodiode

Model: SSL-ABC-3535MQC

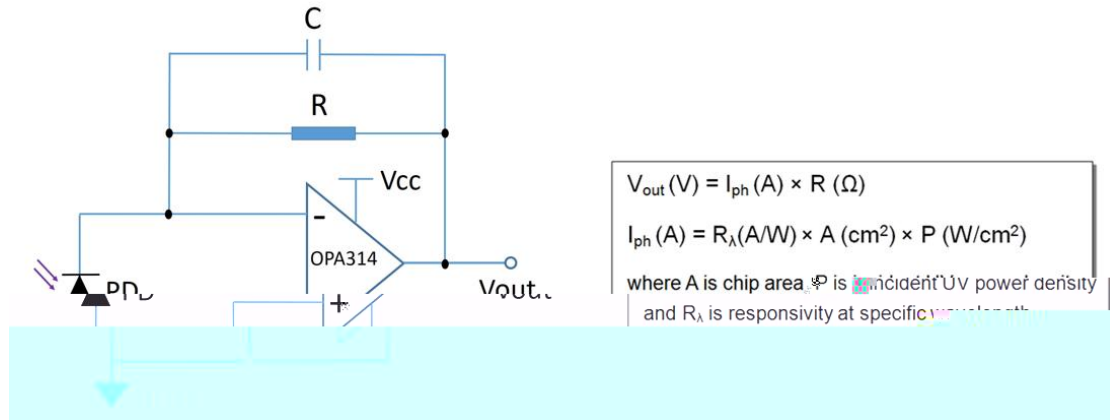
General Features



SiC-based UV photodiode

Model: SSL-ABC-3535MQC

Application circuit:



Evaluation circuit board:

