

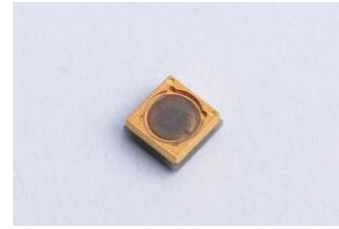


Attenuated UV photodiode

Model: GS-UVV-3535LWD

General Features:

-
-
-
-

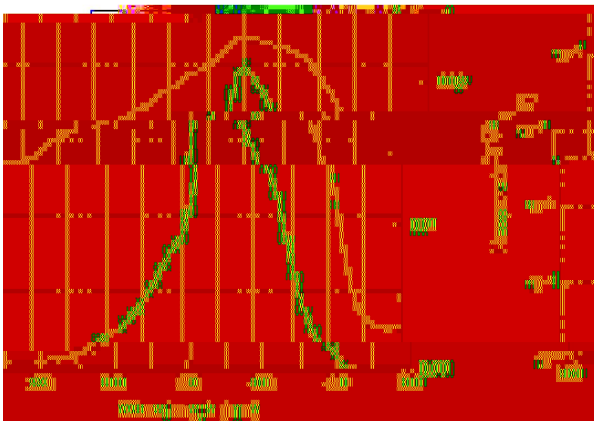


Applications:

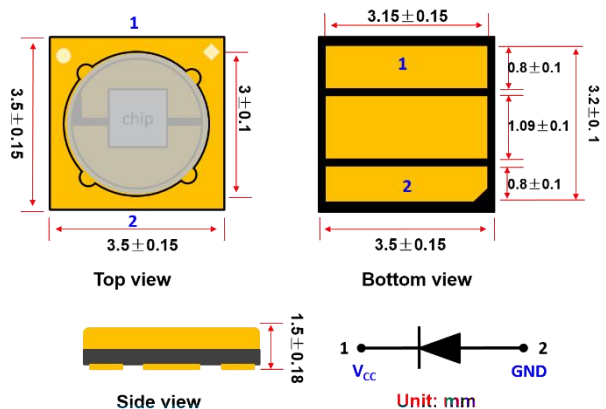
Specifications:

Parameters	Symbol	Value	Unit
Maximum ratings			
General characteristics (25 °C)			
Spectral response characteristics (25 °C)			

Spectral response



Package dimensions

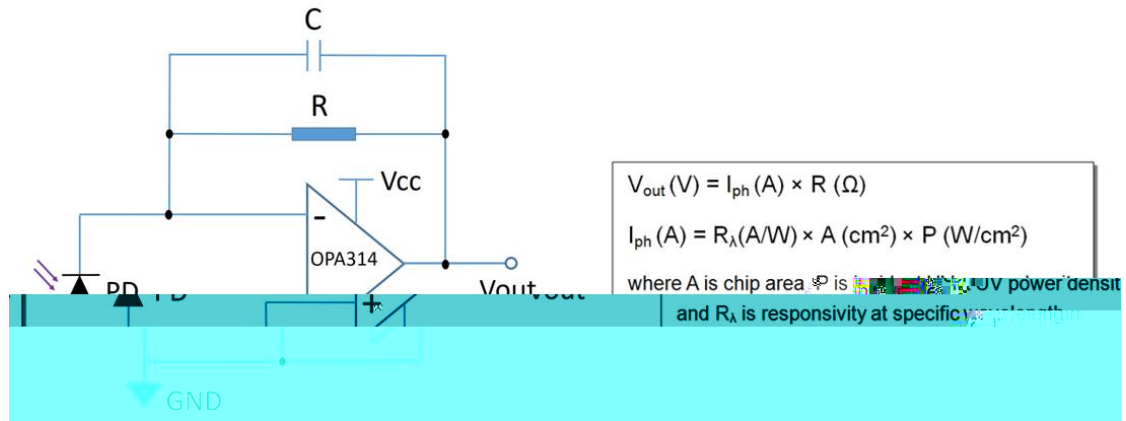




Attenuated UV photodiode

Model: GS-UVV-3535LWD

Application circuit:



Evaluation circuit board:

